

## GBFULL (United Kingdom (GB) Patents Full Text)

**Subject Coverage** All patent-relevant areas of science and technology, i.e., all classes of the International Patent Classification

**File Type** Full Text

**Features**

Thesauri	International Patent Classification (/IPC) , European Patent Classification (/EPC and /ICO), and Cooperative Patent Classification (/CPC)				
<a href="#">Alerts (SDIs)</a>	Weekly or monthly (weekly is the default)				
CAS Registry Number <sup>®</sup> Identifiers	<input type="checkbox"/>	Page Images	<input type="checkbox"/>	STN <sup>®</sup> AnaVist™	<input type="checkbox"/>
<a href="#">Keep &amp; Share</a>	<input checked="" type="checkbox"/>	<a href="#">SLART</a>	<input checked="" type="checkbox"/>	<a href="#">STN Easy<sup>®</sup></a>	<input checked="" type="checkbox"/>
Learning Database	<input type="checkbox"/>	Structures	<input type="checkbox"/>		

**Record Content**

- Full text of patent applications and patent specifications published in the United Kingdom.
- Patent specifications from publication year 1855 to the present. Patent applications begin in 1978, when the British Intellectual Property Office started to publish applications.
- Records of the database contain bibliographic data, including patent applicant and inventor information, patent, application and priority application data, IPC, EPC, and CPC classification codes, plus the searchable text of the complete documents, comprising titles, abstracts, description and claims.
- Text has been created by Optical Character Recognition (OCR) software. Therefore, characters may be misinterpreted, or portions of the text may be incomplete. A small percentage of records are absent because they failed to scan.
- Clipped images (mostly front-page images) from 1898 onwards are also included, when available.
- Database records comprise all documents published for one application.
- Legal status data, family and citation display formats from the INPADOCDB database are available.

**File Size**

- More than 2.88 million family records with more than 3.70 million publications (02/2019)
- More than 1.76 million front page images from 1893 to present (02/2019)

**Coverage** Comprehensive 1893 to present, first document from 1782

**Updates** Weekly

**Language** English

**Database Producer**

LexisNexis Univentio BV  
Galileiweg 8  
2333 BE Leiden  
The Netherlands  
Phone: (+31) 88-6390000  
Email: customersupport@univentio.com  
Copyright Holder

**Database Supplier** FIZ Karlsruhe  
STN Europe  
P.O. Box 2465  
76012 Karlsruhe  
Germany  
Phone: +49-7247-808-555  
Fax: +49-7247-808-259  
Email: [helpdesk@fiz-karlsruhe.de](mailto:helpdesk@fiz-karlsruhe.de)

---

**Sources** Patent applications and granted patents published by the United Kingdom Intellectual Property Office

---

- User Aids**
- Online Helps (HELP DIRECTORY lists all help messages available)
  - STNGUIDE
- 

- Clusters**
- AEROTECH
  - ALLBIB
  - AUTHORS
  - CORPSOURCE
  - ENGINEERING
  - FULLTEXT
  - HPATENTS
  - NPS
  - PATENTS
  - PNTTEXT
- [STN Database Clusters](#) information (PDF).
- 

**Pricing** Enter HELP COST at an arrow prompt.

---

## Search and Display Field Codes

If multiple search terms are linked with and AND-operator, all terms are searched in the complete database record, i.e. in all publications referring to one application. For a search in a specific publication of the record, connect the search term and the patent kind code with the (L)-proximity operator, e.g. S BOREHOLE/AB, TI, CLM (L) GBA/PK limits the search to British applications GBA.

Fields that allow left truncation are indicated by an asterisk (\*).

### General Search Fields

Search Field Name	Search Code	Search Examples	Display Codes
Basic Index* (contains single words from the title (TI), abstract (AB), detailed description (DETD), claims (CLM), and main claims (MCLM))	None or /BI	S TRANSISTOR AND ELECTRODE S ACOUSTIC SENSOR S ?TRANSFER?	TI, AB, DETD, CLM, MCLM
Abstract*	/AB (or /ABEN)	S BOREHOLE/AB	AB
Accession Number	/AN	S 2403388/AN	AN
Application Country (WIPO code and text)	/AC	S GB/AC	AI
Application Date (1)	/AD	S AD=JAN 2003	AI
Application Kind Code	/AK	S GBA/AK	AI
Application Number (2)	/AP	S GB2000-10050/AP	AI
Application Number Original	(or /APPS) /APO (or /AIO)	S 2000GB-0010069/APPS S GB1817326/APO	APO
Application Year (1)	/AY	S AY>=2000	AI
Claims*	/CLM (or /CLMEN)	S DERIVATION/CLM	CLM
Cooperative Patent Classification (3)	/CPC	S C12N0009-1085/CPC	CPC
Cooperative Patent Classification, Action Date (1)	/CPC.ACD	S 20121113/CPC.ACD	CPC.TAB
Cooperative Patent Classification, Keywords	/CPC.KW	S C12N0009-1085/CPC (S) I/CPC.KW	CPC.TAB
Cooperative Patent Classification, Version (1)	/CPC.VER	S 20130101/CPC.VER	CPC.TAB
Data Entry Date (1)	/DED	S 20181206/DED	DED
Data Update Date (1)	/DUPD	S 20181207/DUPD	DUPD
Document Type (code and text)	/DT (or /TC)	S P/DT S PATENT/DT	DT
Entry Date (1)	/ED	S ED=JAN 2005	ED
Entry Date Full-Text (1)	/EDTX	S 20181211/EDTX	EDTX
EPC, Keyword Terms	/EPC.KW	S B17/00/EPC.KW	EPC
European Patent Classification (3)	/EPC (or /ECLA or /EPCLA)	S A01B0001-02B/EPC	EPC
Field Availability	/FA	S AB/FA	FA
Graphic Image Size (1)	/GIS	S L1 AND 400-500/GIS	GIS
ICO (in-computer-only) Classification (3)	/ICO	S L29C0065:16A6B/ICO	ICO
ICO Keyword Terms	/ICO.KW	S ADD/ICO.KW	ICO
IdT (Indeling der Techniek)	/IDT	S B60R0027-00/IDT	IDT
International Patent Classification (ICM, ICS, IPCI, IPCR) (3)	/IPC	S A01B001/IPC	IPC, ICM, ICS, IPCI, IPCR
International Patent Classification (ICM, ICS)	/IC (or /IPCMS)	S A24B/IC	IC, ICM, ICS
Inventor	/IN (or /AU)	S MANDEL WALTER/IN	IN
Inventor, Country	/IN.CNY	S FR/IN.CNY	IN
IPC, Action Date (1)	/IPC.ACD	S 20051008/IPC.ACD	IPC.TAB

## General Search Fields (cont'd)

Search Field Name	Search Code	Search Examples	Display Codes
IPC, Additional	/ICA (or /IPCA)	S A61K0007-00/ICA	ICA
IPC, Index	/ICI (or /IPCIN)	S A61K0007-06/ICI	ICI
IPC, Initial	/IPCI	S B21B0001/IPCI	IPCI
IPC, Keyword Terms	/IPC.KW	S INITIAL/IPC.KW	IPC.TAB
IPC, Main	/ICM (or /IPCM)	S A01N001/ICM	ICM
IPC, Reclassified	/IPCR	S B21B0001-34/IPCR	IPCR
IPC, Reform	/IPC.REF	S A01B0001-16/IPC.REF	IPC
IPC, Secondary	/ICS	S A01B001-16/ICS	ICS
IPC, Version	/IPC.VER (or /IC.VER)	S 7/IPC.VER	IPC.TAB
Key Terms	/KT	S PROTEIN SYNTHESIS/KT S "BIOAVAILABLE PROTEIN AND STARCH"/KT	KT
Language (code and text)	/LA	S EN/LA	LA
Language, Filing (code and text)	/LAF	S ENGLISH/LAF	LAF
Main Claim*	/MCLM (or /MCLMEN)	S ?FRACTURE?/MCLM	MCLM
Number of Claims <b>(1)</b>	/CLMN	S 5-7/CLMN	CLMN
Number of Paragraphs in DETD (Detailed Description) <b>(1)</b>	/DETN	S DETN<10	DETN
Patent Applicant <b>(4)</b>	/PA (or /CS)	S BASF AG/PA	PA
Patent Applicant Country (WIPO code and text)	/PA.CNY	S DE/PA.CNY	PA.CNY
Patent Country (WIPO code and text)	/PC	S GB/PC	PI
Patent Information Publication Type	/PIT	S "GBA PATENT SPECIFICATION (UNDER NO. 2000000) OR PUBLISHED PATENT APPLICATION (FROM NO. 2000000)"/PIT	PIT
Patent Kind Code	/PK	S GBA/PK	PI
Patent Number <b>(2)</b>	/PN (or /PATS)	S GB2003005/PN	PI
Patent Number Original	/PNO	S GB201301786/PNO	PNO
Patent Number/Kind Code	/PNK	S GB2000003 A/PNK	PI, PNK
Priority Country (WIPO code and text)	/PRC	S AU/PRC S AUSTRALIA/PRC	PRAI
Priority Date <b>(1)</b>	/PRD	S PRD=APRIL, 2 2003 S 20030402/PRD	PRAI
Priority Kind Code	/PRK	S DEA/PRK	PRAI
Priority Number <b>(2)</b>	/PRN	S DE2000-10001516/PRN	PRAI
Priority Number Original	/PRNO	S EP12001001/PRNO	PRAO
Priority Year <b>(1)</b>	/PRY	S 1993/PRY	PRAI
Priority Year, First <b>(1)</b>	/PRYF	S 1993-1994/PRYF	PRAI, PRYF
Publication Date <b>(1)</b>	/PD	S PD=JAN-FEB 2003	PI
Related Application Country (WIPO code and text)	/RLC	S WO/RLC	RLI
Related Application Date <b>(1)</b>	/RLD	S 20170203/RLD	RLI
Related Application Number	/RLN	S WO 2017-CA24/RLN	RLI
Related Application Type	/RLT	S PCT APPLICATION/RLT	RLI
Related Application Year <b>(1)</b>	/RLY	S 2017/RLY	RLI
Publication Year <b>(1)</b>	/PY	S PY>2003 AND L1	PI
Title *	/TI (or /TIEN)	S FLUID###/TI	TI, TIEN
Update Date <b>(1)</b>	/UP	S UP=APR 2009	UP

**(1)** Numeric search field that may be searched using numeric operators or ranges.

**(2)** By default, patent numbers, application and priority numbers are displayed in STN Format. To display them in Derwent format, enter SET PATENT DERWENT at an arrow prompt. To reset display to STN Format, enter SET PATENT STN.

**(3)** An online thesaurus is available in this field.

**(4)** Search with implied (S) proximity is available in this field.

## Property Fields<sub>1)</sub>

In GBFULL a numeric search for a specific set of physical properties (/PHP) is available within the full-text fields (TI, AB, DETD, CLM, BI). The numeric values are not displayed as single fields, but highlighted within the hit displays.

Use EXPAND/PHP to search for all available physical properties. A search with the respective field codes will be carried out in all database fields with English text. The /PHP index contains a complete list of codes and related text for all physical properties available for numeric search.

Field Code	Property	Unit	Symbol	Search Examples
/AOS	Amount of substance	Mol	mol	S 10 /AOS
/BIR	Bit Rate	Bit/Second	bit/s	S 8000-10000/BIR
/BIT	Stored Information	Bit	Bit	S BIT > 3 MEGABIT
/CAP	Capacitance	Farad	F	S 1-10 MF/CAP
/CDN	Current Density	Ampere/Square Meter	A/m <sup>2</sup>	S CDN>10 A/M**2
/CMOL	Molarity, Molar Concentration	Mol/Liter	mol/L	S UREA/BI (S) 8/CMOL
/CON	Conductance	Siemens	S	S 1S-3/CON
/DB	Decibel	Decibel	dB	S DB>50
/DEG	Degree	Degree	°	S CYLINDER/BI (S) 45/DEG
/DEN (/C)	Density (Mass Concentration)	Kilogram/Cubic Meter	kg/m <sup>3</sup>	S 5E-3-10E-3/DEN
/DEQ	Dose Equivalent	Sievert	Sv	S 100/DEQ
/DOS (/LD50)	Dosage	Milligram/Kilogram	mg/kg	S DOS>0.8
/DV	Viscosity, dynamic	Pascal * Second	Pa * s	S DV>5000
/ECD	Electric Charge Density	Coulomb/Square Meter	C/m <sup>2</sup>	S ECD>10
/ECH (/CHA)	Electric Charge	Coulomb	C	S 0.0001-0.001/ECH
/ECO (/ECND)	Electrical Conductivity	Siemens/Meter	S/m	S ECO>800 S/M (15A) AQUEOUS
/ELC (/ECC)	Electric Current	Ampere	A	S 1-10/ELC
/ELF (/ECF)	Electric Field	Volt/Meter	V/m	S 200/ELF
/ENE	Energy	Joule	J	S DROPLETS (10A) 40 JOULE - 70 JOULE /ENE
/ERE (/ERES)	Electrical Resistivity	Ohm * Meter	Ohm * m	S ERE>0.1
/FOR	Force	Newton	N	S 50 N /FOR
/FRE (/F)	Frequency	Hertz	Hz	S OSCILLAT?/BI (S) 1- 3/FRE
/IU	International Unit	none	IU	S IU>1000 (P) VITAMIN A
/KV	Viscosity, kinematic	Square Meter/Second	m <sup>2</sup> /s	S POLYETHYLENE WAX/BI (6A) 200-300 cST /KV
/LEN (/SIZ)	Length, Size	Meter	m	S 1-4/LEN
/LUME	Luminous Emittance, Illuminance	Lux	lx	S 10-50/LUME
/LUMF	Luminous Flux	Lumen	Lm	S LUMF>1000
/LUMI	Luminous Intensity	Candela	cd	S LUMI<4
/M	Mass	Kilogram	kg	S ALLOY/BI (30A) 1E-10-1E-5/M
/MCH	Mass to Charge Ratio	none	m/z	S MCH=1
/MFD (/MFS)	Magnetic Flux Density	Tesla	T	S MFD>102
/MFR (/MFL)	Mass Flow Rate	Kilogram/Second	kg/s	S MFR<0.1

Property Fields<sub>1</sub> (cont'd)

Field Code	Property	Unit	Symbol	Search Examples
/MM (/MW, /MOM)	Molar Mass	Gram/Mol	g/mol	S 2000-3000 G/MOL/MM
/MOLS	Molality of Substance	Mol/Kilogram	mol/kg	S 01.-10 MOL/KG/MOLS
/MVR	Melt Volume Rate,	none	g/10 min	S 3/MVR
/NUC (/NUTC)	Melt Flow Rate Nutrition Content	none	g/100 kcal	S NUC/PHP
/PER	Percent (Proportionality)	none	%	S POLYMER?/AB (5A) 4/PER
/PERA	Permittivity, Absolute	Farad/Meter	F/m	S 1-10/PERA
/PERR	Permittivity, Relative	none		S 1500-2000/PERR
/PHV (/PH)	pH Value	pH	pH	S 7.4-7.6/PHV
/POW (PW)	Power	Watt	W	S "HG-XE-?"/BI (S) 100-200 WATT/POW
/PPM	Parts per million	Ppm	ppm	S 100 PPM/PPM (10A) ADDITIVE/BI
/PRES (/P)	Pressure	Pascal	Pa	S (VACUUM (5A) DISTILL?)/BI (S) 1000-1100/PRES
/RAD	Radioactivity	Becquerel	Bq	S RAD/PHP
/RES	Electrical Resistance	Ohm	Ohm	S SENSOR /BI (S) 10- 100/RES
/RI	Refractive Index	none		S 3-4/RI
/RSP	Rotational Speed	Revolution/Minute	rpm	S 2 RPM - 100 RPM /RSP (S) ENGINE/BI
/SAR	Area /Surface Area	Square Meter	m <sup>2</sup>	S PLATE/BI (S) 10 M**2 - 100 M**2 /SAR
/SOL (/SLB)	Solubility	Gram/100 gram	g/100 g	S SOL>20 G/100G (5A) WATER
/STSC (/ST)	Surface Tension	Joule /Square Meter	J/m <sup>2</sup>	S 60 J/M**2/STSC
/TCO (/TCND)	Thermal Conductivity	Watt/Meter * Kelvin	W/m * K	S 1/TCO (S) HEAT?
/TEMP (/T)	Temperature	Kelvin	K	S 20-25/TEMP
/TIM	Time	Second	s	S ?/INCUB?/BI (10A) 50 S - 150 S /TIM
/VEL (/V)	Velocity	Meter per Second	m/s	S REDUC?/BI (S) 1E-3-5E-3/VEL
/VELA	Velocity, angular	Radian/Second	rad/s	S VELA>10
/VLR	Volumetric Flow Rate	Cubic Meter/Second	m <sup>3</sup> /s	S 1 M**3/S - 2 M**3/S /VLR (S) ABRASIVE
/VOL	Volume	Cubic Meter	m <sup>3</sup>	S 1E-8-2E-8/VOL.EX
/VOLT	Voltage	Volt	V	S TENSION/BI (10A) 5E-3 V <VOLT<7E-3 V
/WAC	Water Activity	none		S WAC/PHP

## International Patent Classification (/IPC) Thesaurus

The classifications, validity and catchwords for the main headings and subheadings from the current (8th) edition of the WIPO International Patent Classification (IPC) manual are available. The classifications from the previous editions (1-7) are also available as separate thesauri. To EXPAND and SEARCH in the thesauri for editions 1–7, use the field code followed by the edition number, e.g., /IPC2, for the 2nd edition. Catchwords are included only in the thesauri for the 8th, 7th, 6th, and 5th editions.

Code	Content	Examples
ADVANCED (ADV) ALL BRO (MAN) BT CORE (COR) ED HIE  INDEX KT NEXT NT PREV RT (SIB) TI	Advanced Codes for the Core Level IPC Code All Associated Terms (BT, SELF, NT, RT) Complete Class Broader Term (BT, SELF) Core Codes for the Advanced Level IPC Code Complete title of the SELF term and IPC manual edition Hierarchy Term (Broader and Narrower Term) (BT, SELF, NT) Complete title of the SELF term Keyword Term (catchwords) (SELF, KT) Next Classification Narrower Terms (SELF, NT) Previous Classification Related Terms (SELF, RT) Complete Title of the SELF Term and Broader Terms (BT, SELF)	E A61K0006-02+ADVANCED/IPC E C01C003-00+ALL/IPC E C01C+BRO/IPC E C01F001-00+BT/IPC E G08C0019-22+CORE/IPC E C01F001-00+ED/IPC E C01B003-00+HIE/IPC  E C01F001-00+INDEX/IPC E CYANOGEN+KT/IPC E C01C001-00+NEXT5/IPC E C01C+NT/IPC E C01C001-12+PREV10/IPC E C01C003-20+RT/IPC E C01F001-00+TI/IPC

## ECLA (/EPC) and ICO Thesauri

These thesauri are available in the /EPC search field (for ECLA codes) and /ICO search field (for 'in-computer-only' codes). All relationship codes can be used with both the EXPAND and SEARCH commands.

Relationship Code	Content	Search Examples
ALL AUTO (1) BT CODE  DEF HIE  KT MAX NEXT NEXT(n) NT PREV PREV(n) TI	All usually required terms (BT, SELF, CODE, DEF) Automatic relationship (BT, SELF, CODE, DEF) Broader terms (BT, SELF) Classification Code (SELF, CODE)  Definition (SELF, DEF) Hierarchy terms (all broader and narrower terms) (BT, SELF, DEF, NT) Keyword terms (SELF, KT) All associated terms Next classification within the same class (SELF, NEXT) Next n classification within the same class Narrower terms Previous Code within the same class (SELF, PREV) Previous n classifications within the same class Complete Title of the SELF Term and Broader Terms (BT, SELF)	E C12M0001-34H2+ALL/EPC E G01J003-443+AUTO/EPC E G01J0003-443+BT/EPC E SCRAPER BIASING MEANS+CODE/EPC E B65G0045-16+DEF/EPC E A01B0001+HIE/EPC  E LASER+KT/EPC E G01J0003-44B+MAX/EPC E A01B0001-24+NEXT/EPC E A01B0001-24+NEXT3/EPC E G05B0001-04+NT/EPC E G05B0019-418N1+PREV/EPC E G05B0019-418N1+PREV2/EPC E G05B0001-03+TI/EPC

(1) Automatic Relationship is SET OFF. In case of SET REL ON the result of EXPAND or SEARCH without any relationship code is the same as described for AUTO.

## CPC Thesaurus

This thesaurus is available in the /CPC search field. All relationship codes can be used with both the EXPAND and SEARCH commands.

Relationship Code	Content	Search Examples
ALL	All usually required terms (BT, SELF, CODE, DEF)	E C12M0001-005+ALL/CPC
AUTO (1)	Automatic relationship (BT, SELF, CODE, DEF)	E G01J003-443+AUTO/CPC
BT	Broader terms (BT, SELF)	E G01J0003-443+BT/CPC
CODE	Classification Code (SELF, CODE)	E CARTRIDGES+CODE/CPC
DEF	Definition (SELF, DEF)	E B65G0045-16+DEF/CPC
HIE	Hierarchy terms (all broader and narrower terms) (BT, SELF, DEF, NT)	E A01B0001+HIE/CPC
KT	Keyword terms (SELF, KT)	E LASER+KT/CPC
MAX	All associated terms	E G01J0003-44+MAX/CPC
NEXT	Next classification within the same class (SELF, NEXT)	E A01B0001-24+NEXT/CPC
NEXT(n)	Next n classification within the same class	E A01B0001-24+NEXT3/CPC
NT	Narrower terms	E G05B0001-04+NT/CPC
PREV	Previous Code within the same class (SELF, PREV)	E G05B0019-00+PREV/CPC
PREV(n)	Previous n classifications within the same class	E G05B0019-00+PREV2/CPC
TI	Complete Title of SELF Term and Broader Terms (BT, SELF)	E G05B0001-03+TI/CPC

## DISPLAY and PRINT Formats

Any combination of formats may be used to display or print answers. Multiple codes must be separated by spaces or commas, e.g., D L1 1-5 TI AU. The fields are displayed or printed in the order requested.

The information of the latest publication is displayed by default. To display the content for all levels of the record you can combine all display fields and formats with the qualifier .M except FA, FAM, CFAM, LS, LS2, SCAN, and TRIAL.

For displaying a particular publication of a database record, you can simply add for certain display field the kind code to the appropriate display format, e.g. ALL.A1. Fields that allow this are indicated by a number (3).

Hit-term highlighting is available for all fields. Highlighting must be ON during SEARCH to use the HIT, KWIC, and OCC formats.

Format	Content	Examples
AB (ABS)	Abstract	D TI AB 1-5
AI (AP) (1)	Application Information	D AI
AN	Accession Number	D L3 AN
CLM (3)	Claims	D CLM
CLMN (2,3)	Number of Claims	D CLMN
CPC	Cooperative Patent Classification	D CPC
CPC.TAB	CPC, Tabular	D CPC.TAB
DETD (3)	Detailed Description	D DETD
DETN (2,3)	Number of Paragraphs in DETD	D DETN
DT (TC)	Document Type	D DT LA
ED	Entry Date	D ED
EPC	European Patent Classification	D EPC
EW	Entry Week	D EW
FA	Field Availability (for all publication levels)	D FA
GI	Graphic Image	D GI
GIS (2)	Graphic Image Size	D GIS
GIT (2)	Graphic Image Type	D GIT
IC	IPC (format contains ICM, ICS)	D IC
ICA (IPCA)	IPC, Additional	D ICA
ICI (IPCIN)	IPC, Index	D ICI
ICM	IPC, Main	D ICM
ICO	ICO Classification	D ICO



ICS	IPC, Secondary	D ICS
IDT	IDT Classification	D IDT
IN (AU)	Inventor	D IN
IN.CNY	Inventor, Country	D IN.CNY
IPC.REF	IPC, Reform	D IPC.REF
IPCI	IPC, Initial	D IPCI
KT	Key Terms	D KT
IPCR	IPC, Reclassified	D IPCR
LA	Language	D LA
LAF	Language of Filing	D LAF
MCLM (5)	Main Claim	D MCLM
PA (CS)	Patent Applicant/Patentee	D PA
PA.CNY	Patent Applicant/Patentee Country	D PA.CNY
PI (PNK, PATS) (1)	Patent Information	D PI
PIT	Patent Information Publication Type	D PIT
PNK	Patent Number/Kind Code	D PNK
PNO (2)	Patent Number Original	D PNO
PRAI (PRN) (1,5)	Priority Information	D PRAI
PRAO (PRNO) (2)	Priority Number, Original Format Priority Year, First	D PRAO
PRYF	Priority Year, First	D PRYF
RLI	Related Application Information	D RLI
TI	Title	D TI
UP	Update Date	D UP

**DISPLAY and PRINT Formats (cont'd)**

Format	Content	Examples
ALL (1, 3)	AN, ED, EW, UP, TI, IN, PA, PA.CNY, LA, LAF, DT, PIT, PI, AI, PRAI, IPC, CPC, EPC, ICO, IDT, AB, DETD, CLM, KT	D ALL
ALLG (1)	ALL, plus graphic image	D ALLG
IALL (1,3)	ALL, indented with text labels	D IALL
IALLG (1)	IALL, plus graphic image	D IALLG
APPS (1,3)	AI, PRAI	D APPS
BIB (1,3)	AN, ED, TI, IN, PA, LA, LAF, DT, PIT, PI, AI, PRAI	D BIB
IBIB (1,3)	BIB, indented with text labels	D IBIB
BRIEF (1,3)	AN, ED, EW, TI, IN, PA, LAF, DT, PIT, PI, AI, PRAI, IPC, CPC, EPC, ICO, IDT, AB, MCLM	D BRIEF
BRIEFG (1,4)	BRIEF, plus graphic image	D BRIEFG
IBRIEF (1,3)	BRIEF, indented with text labels	D IBRIEF
IBRIEFG (1,4)	IBRIEF, indented plus graphic image	D IBRIEFG
CPC.TAB	CPC, CPC.KW, CPC.ACD, CPC.VER in tabular format	D CPC.TAB
FAM (1,2)	AN, table of patent family information (from INPADOCDB)	D FAM
CFAM (1,2)	AN, Condensed family format (from INPADOCDB)	D CFAM
IND	ED, IPC (ICM, ICS, IPCI, IPCR), EPC, ICO, IDT	D IND
IPC	International Patent Classification (ICM, ICS, IPCI, IPCR)	D IPC
IPC.TAB	IPC, IPC.KW, IPC.ACD, IPC.VER, in tabular version	D IPC.TAB
LS (2)	Legal Status (from INPADOCDB)	D LS
LS2 (2)	Legal Status (from NPADOCDB), detailed version with display headers	D LS2
MAX (ALL.M) (1)	AN, ED, EW, UP, TI, IN, PA, PA.CNY, LA, LAF, DT, PIT, PI, AI, PRAI, IPC, CPC, EPC, ICO, IDT, AB, DETD, CLM, FA for all levels of publication	D MAX
MAXG (ALLG.M) (1)	MAX, plus graphic image	D MAXG
IMAX (IALL.M) (1)	MAX, indented with text labels	D IMAX
IMAXG (IALLG.M) (1)	IMAX, plus graphic image	D IMAXG
PATS	PI, RLPN	D PATS
RE (2)	Citations of patent and non-patent literature (from INPADOCDB)	D RE
SCAN (4)	TI (random display without answer numbers)	D SCAN
STD (1,3)	AN, ED, TI, IN, PA, LA, LAF, DT, PIT, PI, AI, PRAI, IPC, CPC, EPC, ICO, IDT (STD is default)	D STD
STDG (1)	STD, plus graphic image	D STDG
ISTD (1,3)	STD, indented with text labels	D ISTD
ISTDG (1)	ISTD, plus graphic image	D ISTDG
TRIAL (TRI, SAMPLE, SAM, FREE)	TI, FA, DETN, CLMN, GIS, GIT	D TRIAL
TX (3)	DETD, CLM	D TX
HIT	Hit term(s) and field(s)	D HIT
KWIC	Up to 50 words before and after hit term(s) (KeyWord-In-Context)	D KWIC
OCC	Number of occurrences of hit term(s) and field(s) in which they occur	D OCC

(1) By default, patent numbers, application and priority numbers are displayed in STN Format. To display them in Derwent format, enter SET PATENT DERWENT at an arrow prompt. To reset display to STN Format, enter SET PATENT STN.

(2) Custom display only.

(3) You can combine this display field with the qualifier .PK (Patent Kind Code) to display the content for a certain publication level of a record, e.g. STD.A8.

(4) SCAN must be specified on the command line, i.e., D SCAN or DISPLAY SCAN.

(5) If priority information is not available for a certain document, this information is taken from the application information of this document and marked with an asterisk (\*).

## SELECT, ANALYZE, and SORT Fields

The SELECT command is used to create E-numbers containing terms taken from the specified field in an answer set.

The ANALYZE command is used to create an L-number containing terms taken from the specified field in an answer set.

The SORT command is used to rearrange the search results in either alphabetic or numeric order of the specified field(s).

You can combine all fields except FA with the qualifier .M to SELECT/ANALYZE the content of all publication levels.

Field Name	Field Code	ANALYZE/ SELECT (1)	SORT
Abstract	AB	Y	N
Accession Number	AN	Y	Y
Application Country	AC	Y	N
Application Date	AD	Y	N
Application Information	AI (AP)	Y (2)	N
Application Information Original	AIO (APO)	Y	N
Application Year	AY	Y	N
CPC Classification	CPC	Y	Y
Data Entry Date	DED	Y	Y
Data Update Date	DUPD	Y	Y
Document Type	DT	Y	Y
Entry Date	ED	Y	Y
Entry Date Full-Text	EDTX	Y	Y

## SELECT, ANALYZE, and SORT Fields (cont'd)

Field Name	Field Code	ANALYZE/ SELECT (1)	SORT
European Patent Classification	EPC	Y	Y
Field Availability	FA	Y	N
Graphic Image Size	GIS	Y	N
International Patent Classification	IC	Y	N
Inventor	IN (AU)	Y	Y
ICO (in-computer-only) Classification	ICO	Y	Y
IdT Classification	IDT	Y	Y
IPC (ICM, ICS, ICA, ICI, IPCI, IPCR)	IPC	Y	Y
IPC, Additional	IPCA	Y	Y
IPC, Advanced Level Symbols	IPC.A	Y (4)	N
IPC, Advanced Level Symbols for Invention	IPC.AI	Y (4)	N
IPC, Core Level Symbols	IPC.C	Y (4)	N
IPC, Core Level Symbols for Invention	IPC.CI	Y (4)	N
IPC, Index	IPCI	Y	Y
IPC, Initial	IPCI	Y	Y
IPC, Main	ICM	Y	Y
IPC, Reclassified	IPCR	Y	Y
IPC, Reform	IPC.REF	Y	Y
IPC, Secondary	ICS	Y	Y
Language	LA	Y	Y
Language of Filing	LAF	Y	Y
Key Terms	KT	Y	N
Number of Claims	CLMN	Y (5)	N
Number of Paragraphs in DETD	DETN	Y (5)	N
Occurrence Count of Hit Terms	OCC	N	Y
Patent Applicant Country	PA.CNY	Y	Y
Patent Applicant	PA (CS)	Y	Y
Patent Country	PC	Y	Y
Patent Information Publication Type	PIT	Y	Y
Patent Kind Code	PK	Y	Y
Patent Number	PI (PN)	Y	Y
Patent Number/Kind Code	PNK	Y	Y
Patent Number Original	PNO	Y	Y
Pre-IPC8 Symbols from the ICM and first IPC8 values from 2006-present	IPC.F	Y (4)	N
Priority Country	PRC	Y	Y
Priority Date	PRD	Y	Y
Publication Year	PY	Y	Y
Related Application Country	RLC	Y	Y
Related Application Date	RLD	Y	Y
Related Application Number	RLN	Y	Y
Related Application Type	RLT	Y	Y
Related Application Year	RLY	Y	Y
Title	TI	Y (default)	Y
Update Date	UP	Y	Y

(1) HIT may be used to restrict terms extracted to terms that match the search expression used to create the answer set, e.g., SEL HIT TI.

(2) Selects or analyzes application numbers with /AP appended to the terms created by SELECT.

(3) Appends /BI to the terms created by SELECT.

(4) Appends /IPC to the terms created by SELECT.

(5) You can combine these display fields with the qualifier .PK (Patent Kind Code) to select the content for a certain publication level of a record. The normal search field code without the .PK extension is appended to selected terms.

## Sample Records

**DISPLAY MAXG (STN format)**

AN 2418818 GBFULL ED 20140615 UP 20190108 EDTX 20140615  
 DUPD 20181218  
 TI A method and an arrangement to provide a common platform for tencoder and  
 decoder of various CELP codecs  
 IN ARORA NITIN, DE  
 PA SIEMENS AG, DE  
 LAF English  
 LA English  
 DT Patent; (Fulltext)  
 PIT GBB AMENDED PATENT SPECIFICATION [UNDER NO. 2000000] or PATENT  
 SPECIFICATION [FROM NO. 2000000]  
 PI GB 2418818 B 20070502  
 AI GB 2004-21852 A 20041001  
 PRAI GB 2004-21852 20041001  
 IPCI G10L0019-04 [I,A]  
 IPCR G10L0019-12 [I,A]; G10L0019-14 [I,A]; G10L0019-16 [I,A]  
 CPC G10L0019-04; G10L0019-12; G10L0019-16  
 EPC G10L0019-04; G10L0019-12; G10L0019-16

AB

Equivalent from GB2418818A

A method and an arrangement to provide a common platform for the encoder  
 and decoder of various CELP codecs used during data/speech transmission  
 within a communication network, wherein common portions (1 to 4) of said  
 codecs were extracted and implemented on the common platform  
 communicating with the remaining portions (5 to 10) of said codecs.

DETD

A method and an arrangement to provide a common platform for the encoder  
 and decoder of various CELP codecs

DESCRIPTION.

The invention relates to a method an arrangement to provide a common  
 platform for the encoder and decoder of various CELP codecs used during  
 data/speech transmission within a communication networks.

BACKGROUND OF INVENTION.

The presented invention particularly concerns in the development of the  
 VoIP access and trunk gateways. The demands of the customer features are  
 increasing, wherein resources in the gates and memory in used DSP, FPGA  
 or ASIC is limited. Supporting all the features or increasing number of  
 features leads - on the one hand - to more expensive ASIC, FPGA and DSP  
 or lower port density achievement.

On the other hand every Telecom company is looking for the IP  
 convergence, particularly a convergence of Voice, Data and Video in a  
 single piece of equipment. A further important issue for the telecom  
 companies is to save as much bandwidth as possible during the data/speech  
 transmission, but not with too much compromise of quality.

CLM

1. A method to provide a common platform for the encoder and decoder of  
 various CELP codecs used during  
 data/speech transmission within a communication networks, wherein  
 common portions (1 to 4; 11 to 15) of said codecs were extracted and  
 implemented on the common platform communicating with the remaining  
 portions ( 5 to 10; 16 to 22) of said codecs.

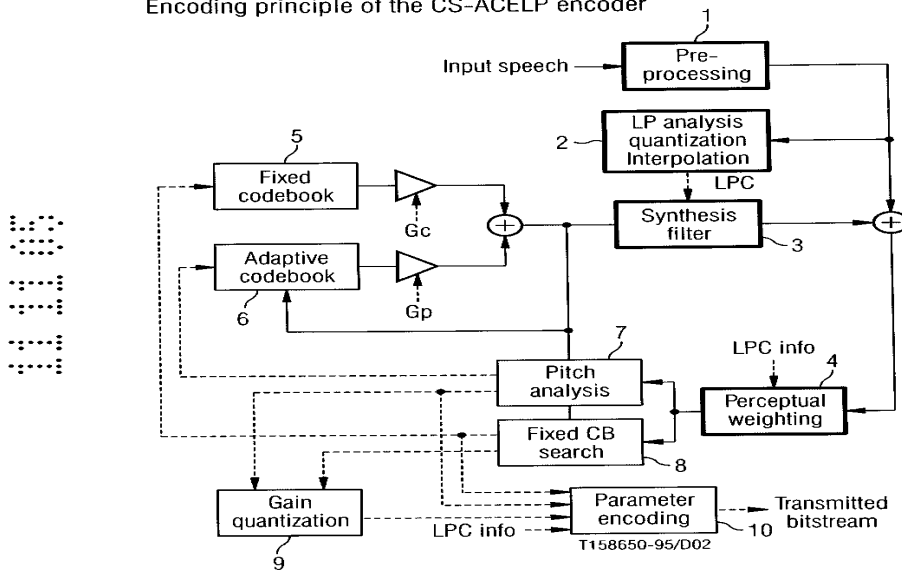
2. A method as claimed in the preceding claim, wherein the codecs could be represented by AMR, by Enhanced Full Rate GSM, by G729 or by G723.
3. A platform comprising implemented common portions of various CELP codecs communicating with the remaining portions of said codecs used during data/speech transmission within communication networks.
4. A platform as claimed in the preceding claim, wherein the codecs could be represented by AMR, by Enhanced Full Rate GSM, by G729 or by G723.

KT

common platform; celp codec; tencoder and decoder; common portion; complex celp encoder; memory and gates requirement; encoder and decoder; mobile and fixed network codec; low port density; remaining portion; enhanced full rate; celp decoder; communication network; encoder portion; synthesis filter; perceptual weighing filter; efforts and cost; pre-processing block; memory chip; quantization and interpolation; conclusion implementation; cost consuming; ip convergence

1/2

**FIG 1**  
Encoding principle of the CS-ACELP encoder



P.O. Box 3012  
Columbus, Ohio 43210-0012 U.S.A.

CAS Customer Center:  
Phone: 800-753-4227 (North America)  
614-447-3700 (worldwide)  
Fax: 614-447-3751  
Email: [help@cas.org](mailto:help@cas.org)  
Internet: [www.cas.org](http://www.cas.org)

P.O. Box 2465  
76012 Karlsruhe  
Germany  
Phone: +49-7247-808-555  
Fax: +49-7247-808-259  
Email: [helpdesk@fiz-karlsruhe.de](mailto:helpdesk@fiz-karlsruhe.de)  
Internet: [www.stn-international.com](http://www.stn-international.com)

STN Japan  
Nakai Building  
6-25-4 Honkomagome, Bunkyo-ku  
Tokyo 113-0021, Japan  
Phone: +81-3-5978-3601 (Technical Service)  
+81-3-5978-3621 (Customer Service)  
Fax: +81-3-5978-3600  
Email: [support@jaici.or.jp](mailto:support@jaici.or.jp) (Technical Service)  
[customer@jaici.or.jp](mailto:customer@jaici.or.jp) (Customer Service)  
Internet: [www.jaici.or.jp](http://www.jaici.or.jp)