

## FRANCEPAT (French Patents Database)



**Subject Coverage** All patent-relevant areas of science and technology, i.e., all classes of the International Patent Classification.

**File Type** Bibliographic

**Features**

Thesaurus	International Patent Classification (/IPC)				
Alerts (SDIs)	Not available				
CAS Registry Number <sup>®</sup> Identifiers	<input type="checkbox"/>	Page Images	<input type="checkbox"/>	STN <sup>®</sup> AnaVist <sup>™</sup>	<input type="checkbox"/>
<a href="#">Keep &amp; Share</a>	<input checked="" type="checkbox"/>	<a href="#">SLART</a>	<input checked="" type="checkbox"/>	<a href="#">STN Easy<sup>®</sup></a>	<input checked="" type="checkbox"/>
Learning Database	<input type="checkbox"/>	Structures	<input type="checkbox"/>		

**Record Content**

- French patent applications and granted French patents.
- Records contain bibliographic, administrative and legal status data.
- Abstracts, descriptors, and images of patent drawings are available since 1978.
- English descriptors are available from 1987-2009.

**File Size** 1,129,824 records

**Coverage** 1961-November 2009

**Updates** Closed file

**Language** French, English

**Database Producer** Institut National de la Propriété Industrielle (INPI)  
26 bis rue Saint Petersburg  
75800 Paris, Cedex 08  
France  
Phone:+331 53 04 53 04  
Fax: +331 42 93 59 30  
Copyright Holder

PRIVATE SERVICE UNDER DISTRIBUTION AGREEMENT WITH INSTITUT NATIONAL DE LA PROPRIÉTÉ INDUSTRIELLE

**Database  
Supplier**

FIZ Karlsruhe  
STN Europe  
P.O. Box 2465  
76012 Karlsruhe  
Germany  
Phone: +49 7247 808-555  
Fax: +49 7247 808-259  
Email: [helpdesk@fiz-karlsruhe.de](mailto:helpdesk@fiz-karlsruhe.de)

---

**Sources**

- French patent applications and granted French patents published by INPI since 1966
  - Special pharmaceutical patents (Brevet Speciaux Medicaments) from 1961-1978
  - Complementary Protection Certificates from 1969-2009
- 

**User Aids**

- Online Helps (HELP DIRECTORY lists all help messages available)
  - STNGUIDE
- 

**Clusters**

- ALLBIB
  - AUTHORS
  - CORPSOURCE
  - HPATENTS
  - PATENTS
- [STN Database Clusters](#) information (PDF).
- 

**Pricing**

Enter HELP COST at an arrow prompt.

---

## Search and Display Field Codes

Fields that allow left truncation are indicated by an asterisk (\*).

### General Search Fields

Search Field Name	Search Code	Search Examples	Display Codes
Basic Index* (contains single words from title (TI), and abstract (AB) fields)	None or /BI	S THERMOPLASTIQUE MOULEE S DIFFUSEUR S ELEVATION (L) NOTAMMENT S ?PLASTIQUE?	TI, AB
Abstract*	/AB	S PARTIES LATERALES/AB S ?PLACEE?/AB	AB
Accession Number	/AN	S 200101/AN	AN
Agent	/AG	S ANDRIEU PAUL/AG	AG
Application Country (WIPO code and text)	/AC	S FR/AC S FRANCE/AC	AI
Application Date (1)	/AD	S AD>JAN 2000	AI
Application Number (2)	/AP	S FR2000-10031/AP	AI
Application Year (1)	/AY	S 2000-2001/AY	AI
BOPI Issue Number (1)	/BPI	S 200209/BPI	
Controlled Term	/CT	S MANAGEMENT PROGRAM/CT	CT
Controlled Term in French	/CTFR	S TABLE DE COUPE/CTFR	CTFR
Controlled Word	/CW	S SANGLE/CW	CT, CTFR
Data Entry Week (1)	/DEW	S DEW>200340	DEW
Document Type	/DT (or /TC)	S UTILITY MODEL/DT	DT
Entry Date (1)	/ED	S ED= JAN 2009	ED
Field Availability	/FA	S GI/FA	FA
Graphic Image Size (1)	/GIS	S 1000-1100/GIS	GIS
International Patent Class. (IPC) (contains IC, ICM, ICS, ICA, IPCI, IPCR) (3)	/IPC	S A01B0001-06/IPC	ICA, ICM, ICS, IPCI, IPCR
International Patent Classification (main and secondary)	/IC	S 03C27-00/IC	IC
Inventor	/IN (or /AU)	S LAURENCE MAGALI/IN	IN
Inventor Address	/INA	S ALLEE/INA (P) GAMEVILLE/INA S (BRIDGEWATER AND MICHIGAN)/INA	IN
IPC, Action Date (1)	/IPC.ACD	S 20060101/IPC.ACD	IPC.TAB
IPC, Additional (supplementary)	/ICA	S A01B029/ICA	ICA
IPC, Initial	/IPCI	S B60K/IPCI	IPCI
IPC, Keyword Terms	/IPC.KW	S INITIAL/IPC.KW	IPC.TAB
IPC, Main	/ICM	S C09K-007-02/ICM	ICM
IPC, Reclassified	/IPCR	S C08L0061-00/IPCR	IPCR
IPC, Secondary (current)	/ICS	S D01B001-38/ICS	ICS
IPC, Version (1)	/IPC.VER	S 200601/IPC.VER	IPC.TAB
Legal Status	/LS	S DECISION JUDICIAIRE/LS	LS
Legal Status, Date of Grant (1)	/LS.GD	S 28 FEB 2003/LS.GD	LS
Legal Status, Date of Lapse (1)	/LS.LD	S LS.LD>=2003	LS
Legal Status, Date of Supplementary Search Report (1)	/LS.SD	S LS.SD=DEC 2002	LS
Legal Status, Grant BOPI Number (1)	/LS.GB	S 200209-200210/LS.GB	LS
Legal Status, National Patent Register	/LS.NPR	S CONCESSION DE LICENCE/LS.NPR	LS
Legal Status, National Patent Register Date (1)	/LS.NPD	S LS.NPD=JAN-FEB 2002	LS
Legal Status, Rejection or Withdrawal Date (1)	/LS.RD	S LS.RD>=2001	LS

## FRANCEPAT

## General Search Fields (cont'd)

Search Field Name	Search Code	Search Examples	Display Codes
Licensee (contains Licensee Name and Licensee Address) (4)	/LI	S ATELIERS DE CONSTRUCTIONS/LI	LI
Licensee Address (4)	/LIA	S PARIS/LIA	LI
Licensee Name (4)	/LINM	S SYGMA BIO/LINM	LI
Licensee Type	/LIT	S SOCIETE ANONYME/LIT	LI
Main Group of IPC (range searchable) (1,5)	/MGR	S C09K/ICM(T)18-20/MGR	not displayed
National Research Report, BOPI Issue Number (1)	/NSR.BPI	S 200201/NSR.BPI	NSR
National Research Report, Publication Date (1)	/NSR.PD	S NSR.PD=2003	PA
Patent Applicant (4)	/PA.AP	S HENRI SALA/PA.AP	PA
Patent Applicant Address	/PAA	S ANCIENNE/PAA	PA
Patent Applicant/Patentee (4)	/PA (or /CS)	S BASQUIN NESTOR/PA	PA
Patent Assignee Number	/PAN	S B31241132/PAN	PAN
Patent Assignee/Patentee	/PA.AS	S BATIGNOLLES/PA.AS	PA
Patent Country (WIPO code and text)	/PC	S FR/PC	PI
Patent Information Publication Type (English and French text)	/PIT	S ADDITIONAL PATENT/PIT S ADDITION A UN BREVET/PIT	PIT
Patent Kind Code	/PK	S FRA1/PK	PI
Patent Number (2)	/PN (or /PATS)	S FR2000014/PN S FR2763317/PN (P) 1999/PY	PI
Priority Country (WIPO code and text)	/PRC	S AUSTRALIA/PRC S AU/PRC	PRAI
Priority Date (1)	/PRD	S JAN 2002-FEB 2002/PRD	PRAI
Priority Number (2)	/PRN	S FR2003-1244/PRN	PRAI
Priority Number, Original	/PRNO	S FR0000014/PRNO	PRAO
Priority Year (1)	/PRY	S 1980/PRY	PRAI
Publication Date (1)	/PD	S PD=NOV 2003	PI
Publication Year (1)	/PY	S PY>=2003 AND L2	PI
Reference Relevance Indicator	/RRI (or /CAT)	S E/RRI	
Referenced Non-Patent Literature	/REN	S (APPLIED AND OPTICS)/REN	REN
Referenced Patent Country (WIPO code and text)	/RPC	S DE/RPC	REP
Referenced Patent Kind Code	/RPK	S DEA/RPK	REP
Referenced Patent Number (2)	/RPN	S DE2750426/RPN	REP
Related Application Country (WIPO code and text)	/RLC	S FR/RLC	RLIO
Related Application Number, Original	/RLNO	S FR0000392/RLNO	RLIO
Related Application Type	/RLT	S DIVISION/RLT	RLI
Subgroup of IPC (range searchable) (1,5)	/SGR	S B60B007/ICS(L)2100>SGR	not displayed
Supplementary Protection Certificate	/SPC	S REJECTION /SPC	SPC
Supplementary Protection Certificate, Applicant (4)	/SPC.PA	S BOEHRINGER MANNHEIM/SPC.PA	SPC
Supplementary Protection Certificate, Application Date (1)	/SPC.AD	S SPC.AD<2000	SPC
Supplementary Protection Certificate, BOPI Issue (1)	/SPC.BPI	S 199200-199252/SPC.BPI	SPC
Supplementary Protection Certificate, Deadline of Validity (1)	/SPC.VD	S SPC.VD=2001-2002	SPC

## General Search Fields (cont'd)

Search Field Name	Search Code	Search Examples	Display Codes
Supplementary Protection Certificate, Document Number	/SPC.DN	S FR91C0003/SPC.DN	SPC
Supplementary Protection Certificate, Drug Approval	/SPC.DA	S NL 10042/SPC.DA	SPC
Supplementary Protection Certificate, Drug Approval Grant Date (1)	/SPC.DAD	S 19810410/SPC.DAD	SPC
Supplementary Protection Certificate, Drug Name	/SPC.DNM	S ALBUTEROL ULFATE/SPC.DNM	SPC
Supplementary Protection Certificate, Grant BOPI Issue (1)	/SPC.GB	S 200043-200046/SPC.GB	SPC
Supplementary Protection Certificate, Lapse Date (1)	/SPC.LD	S 2002/SPC.LD	SPC
Supplementary Protection Certificate, Publication Date (1)	/SPC.PD	S 16 JUL 1999/SPC.PD	SPC
Supplementary Protection Certificate, Rejection Date (1)	/SPC.RD	S 19961213/SPC.RD	SPC
Supplementary Protection Certificate, Grant Date (1)	/SPC.GD	S SPC.GD=2002	SPC
Title	/TI	S HYDROCONVERSION/TI	TI
Update Date (1)	/UP	S UP=JAN 2004	UP

- (1) Numeric search field that may be searched using numeric operators or ranges.  
 (2) Application, priority, and patent numbers are available in Derwent and STN format. STN is the default. Enter SET PAT DERWENT to change to the Derwent format. To return to the STN format, enter SET PAT STN.  
 (3) A thesaurus is available in this field.  
 (4) Search with implied (S) proximity is available in this field.  
 (5) Only valid for version 1-7.

## Super Search Fields

Enter a super search code to execute a search in one or more fields that may contain the desired information. Super search fields facilitate crossfile and multifile searching. EXPAND may not be used with super search fields. Use EXPAND with the individual field codes instead.

Search Field Name	Search Code	Fields Searched	Search Examples	Display Codes
Application Number Group (1)	/APPS	/AP, /PRN	S FR2003-----1244/APPS	AI, PRAI

- (1) Either STN format or Derwent format may be used.

## International Patent Classification (/IPC) Thesaurus

The classifications, validity and catchwords for the main headings and subheadings from the current (8th) edition of the WIPO International Patent Classification (IPC) manual are available. The classifications from the previous editions (1-7) are also available as separate thesauri. To EXPAND and SEARCH in the thesauri for editions 1-7, use the field code followed by the edition number, e.g., /IPC2, for the 2nd edition. Catchwords are included only in the thesauri for the 8th, 7th, 6th, and 5th editions.

Code	Content	Examples
ALL BRO (MAN) BT	All Associated Terms (BT, SELF, NT, RT) Complete Class Broader Term (BT, SELF)	E C01C003-00+ALL/IPC E C01C+BRO/IPC E C01F001-00+BT/IPC

## International Patent Classification (/IPC) Thesaurus (cont'd)

Code	Content	Examples
ED HIE	Complete title of the SELF term and IPC manual edition Hierarchy Term (Broader and Narrower Term) (BT, SELF, NT)	E C01F001-00+ED/IPC E C011003-00+HIE/IPC
INDEX KT NEXT NT PREV RT (SIB) TI	Complete title of the SELF term Keyword Term (catchwords) (SELF, KT) Next Classification Narrower Terms (SELF, NT) Previous Classification Related Terms (SELF, RT) Complete Title of the SELF Term and Broader Terms (BT, SELF)	E C01F001-00+INDEX/IPC E CYANOGEN+KT/IPC E C01C001-00+NEXT5/IPC E C01C+NT/IPC E C01C001-12+PREV10/IPC E C01C003-20+RT/IPC E C01F001-00+TI/IPC

## DISPLAY and PRINT Formats

Any combination of formats may be used to display or print answers. Multiple codes must be separated by spaces or commas, e.g., D L1 1-5 TI PI. The fields are displayed or printed in the order requested.

Hit-term highlighting is available for most searchable fields. Highlighting must be ON during SEARCH to use the HIT, KWIC, and OCC formats.

Format	Content	Examples
AB	Abstract	D TI AB 1-5
AG	Agent	D AG
AI (1)	Application Information	D AI
AN	Accession Number	D L3 AN
APPS (1)	Application Number Group	D APPS
CT	Controlled Term	D CT
CTFR	Controlled Term in French	D CTFR
DEW (2)	Data Entry Week	D DEW
DT (TC)	Document Type	D DT LA
ED	Entry Date	D ED
FA	Field Availability	D FA
GI	Graphic Information	D GI
GIS (2)	Graphic Information Size	D GIS
IC	International Patent Classification (ICM, ICS)	D IC
ICA	IPC, Additional (Supplementary)	D ICA
ICM	IPC, Main	D ICM
ICS	IPC, Secondary	D ICS
IN	Inventor	D IN
IPC	International Patent Classification (ICA, ICM, ICS, IPCI, IPCR)	D IPC
IPCI	IPC, Initial	D IPCI
IPCR	IPC, Reclassified	D IPCR
LI	Licensee	D LI
LS	Legal Status	D LS
NSR	National Search Report	D NSR
PA	Patent Assignee	D PA
PAN	Patent Assignee Number	D PAN
PATS	Patent Number Group	D PATS
PI (PN, PATS) (1)	Patent Information	D PI
PIT	Patent Information Publication Type	D PIT
PRAI (PRN) (1)	Priority Information	D PRAI
PRAO	Priority Information, Original	D PRAO
RE	Reference	D RE
REN	Referenced Non-Patent Literature	D REN
REP	Referenced Patent Literature	D REP

## DISPLAY and PRINT Formats (cont'd)

Format	Content	Examples
RLIO SPC TI UP	Referenced Patent Application Information, Original Supplementary Protection Certificate Title Update Date	D RLIO D SPC D TI D UP
ABS ALL (1)	AN, AB AN, ED, UP, TI, IN, PA, PAN, AG, PIT, PI, AI, PRAI, LI, NSR, REP, REN, RE, IPC, AB, CT, CTFR, SPC, LS, FA	D ABS D ALL
ALLFR (1)	AN, ED, UP, TI, IN, PA, PAN, AG, PIT, PI, AI, PRAI, LI, NSR, REP, REN, RE, IPC, AB, CT, CTFR, SPC, LS, FA (French terminology)	D ALLFR
ALLG (1)	AN, ED, UP, TI, IN, PA, PAN, AG, PIT, PI, AI, PRAI, LI, NSR, REP, REN, RE, IPC, GI, AB, SPC, FA, LS	D ALLG
ALLGFR (1)	AN, ED, UP, TI, IN, PA, PAN, AG, PIT, PI, AI, PRAI, LI, NSR, REP, REN, RE, IPC, GI, AB, SPC, FA, LS	D ALLGFR
BIB (1)	AN, ED, UP, TI, IN, PA, PIT, PI, AI, PRAI	D BIB
IBIB (1)	BIB, indented with text labels	D IBIB
BRIEF (1)	AN, ED, UP, TI, IN, PA, PAN, AG, PI, AI, PRAI, RE, IPC, AB	D BRIEF
BRIEFG (1)	AN, ED, UP, TI, IN, PA, PAN, AG, PI, AI, PRAI, RE, IPC, GI, AB	D BRIEFG
DALL (1)	ALL, delimited for post processing	D DALL
IALL (1)	ALL, indented with text labels	D IALL
IALLFR (1)	ALLFR, indented with text labels (French terminology)	D IALLFR
IALLG (1)	ALLG, indented with text labels	D IALLG
IALLGFR (1)	ALLGFR, indented with text labels	D IALLGFR
IND	IPC	D IND
IPC.TAB	IPC, IPC.VER, IPC.KW, IPC.ACD in tabular version	D IPC.TAB
MAX (1)	AN, ED, UP, TI, IN, PA, PAN, AG, DT, PIT, PI, AI, PRAI, LI, REP, REN, RE, IPC, AB, CT, CTFR, SPC, FA, LS	D MAX
MAXG (1)	AN, ED, UP, TI, IN, PA, PAN, AG, DT, PIT, PI, GIS, AI, PRAI, LI, REP, REN, RE, IPC, GI, AB, CT, CTFR, SPC, FA, LS	D MAXG
SCAN (3)	TI (random display without answer numbers)	D SCAN
TRIAL (TRI, SAMPLE, SAM, FREE)	TI, IPC	D SAM
STD (1)	AN, ED, UP, TI, IN, PA, PIT, PI, AI, PRAI, RE, IPC, FA (STD is default)	D STD
ISTD (1)	STD, indented with text labels	D ISTD
HIT KWIC OCC	Hit term(s) and field(s) Up to 50 words before and after hit term(s) (KeyWord-In-Context) Number of occurrences of hit term(s) and field(s) in which they occur	D HIT D KWIC D OCC

(1) By default, patent numbers, application and priority numbers are displayed in STN format. To display them in Derwent format, enter SET PATENT DERWENT at an arrow prompt. To reset display to STN format, enter SET PATENT STN.

(2) Custom display only.

(3) SCAN must be specified on the command line, i.e., D SCAN or DISPLAY SCAN.

## SELECT, ANALYZE, and SORT Fields

The SELECT command is used to create E-numbers containing terms taken from the specified field in an answer set.

The ANALYZE command is used to create an L-number containing terms taken from the specified field in an answer set.

The SORT command is used to rearrange the search results in either alphabetic or numeric order of the specified field(s).

## FRANCEPAT

**SELECT, ANALYZE, and SORT Fields (cont'd)**

Field Name	Field Code	ANALYZE/ SELECT (1)	SORT
Abstract	AB	Y	N
Accession Number	AN	Y	N
Agent	AG	Y	Y
Application Country	AC	Y (2)	Y
Application Date	AD	Y	Y
Application Number	AP (AI)	Y	Y
Application Number Group	APPS	Y (3)	N
Application Year	AY	Y (2)	N
BOPI Issue Number	BPI	Y	N
Controlled Term	CT	Y	N
Controlled Term in French	CTFR	Y	N
Data Entry Week	DEW	Y (2)	Y
Document Type	DT (TC)	Y	Y
Entry Date	ED	Y	Y
Field Availability	FA	Y	N
Graphic Information Size	GIS	Y	N
Inventor	IN	Y	Y
Inventor Address	INA	Y	Y
IPC (ICA, ICI, ICM, IPCI, IPCR)	IPC	Y	Y
IPC (ICM, ICS)	IC	Y	Y
IPC, Additional (supplementary)	ICA	Y	Y
IPC, Advanced Level Symbols	IPC.A	Y (4)	N
IPC, Advanced Level Symbols for Invention	IPC.AI	Y (4)	N
IPC, Core Level Symbols	IPC.C	Y (4)	N
IPC, Core Level Symbols for Invention	IPC.CI	Y (4)	N
IPC, Initial	IPCI	Y (4)	N
IPC, Main	ICM	Y	Y
IPC, Reclassified	IPCR	Y (4)	N
IPC, Secondary	ICS	Y	Y
Legal Status	LS	Y (2)	N
Legal Status: Date of Grant	LS.GD	Y	Y
Legal Status: Date of Lapse	LS.LD	Y	Y
Legal Status: Date of Supplementary Search Report	LS.SD	Y	Y
Legal Status: Grant BOPI Number	LS.GB	Y	Y
Legal Status: National Patent Register	LS.NPR	Y (2)	Y
Legal Status: National Patent Register Date	LS.NPD	Y (2)	Y
Legal Status: Rejection or Withdrawal Date	LS.RD	Y (2)	Y
Licensee	LI	Y	Y
Licensee Address	LIA	Y	Y
Licensee Name	LINM	Y	Y
Licensee Type	LIT	Y	N
Patent Applicant	PA.AP	Y (2)	Y
Patent Applicant Assignee	PA.AS	Y (2)	Y
Patent Applicant/Patentee	PA	Y (2)	Y
Patent Assignee Address	PAA	Y	Y
Patent Assignee Number	PAN	Y	Y
Patent Assignee Type	PAT	Y	Y
Patent Countries	PCS	Y (2,5)	N
Patent Information Publication Type	PIT	Y	Y
Patent Kind Code	PK	Y (2)	Y
Patent Number	PN (PI, PATS)	Y (2)	Y
Patent Publication Country	PC	Y (2)	Y
Patent Publication Date	PD	Y	Y



**SELECT, ANALYZE, and SORT Fields (cont'd)**

Field Name	Field Code	ANALYZE/ SELECT (1)	SORT
Pre-IPC8 Symbols for the ICM and first IPC8 values from 2006-present	IPC.F	Y (4)	N
Priority Country	PRC	Y (2)	Y
Priority Date	PRD	Y (2)	Y
Priority Information, Original	PRAO	Y (2)	Y
Priority Number	PRN (PRAI)	Y (2)	Y
Priority Year	PRY	Y (2)	Y
Publication Year	PY	Y (2)	Y
Reference Non-Patent Information	REN	Y	N
Reference Patents	REP	Y	N
Reference Relevance Number	RRI (CAT)	Y	Y
Referenced Patent Country	RPC	Y	N
Referenced Patent Number	RPN	Y	N
Related Application Country	RLC	Y (2)	N
Related Patent Application Number, Original	RLNO (RLIO)	Y	N
Subclass	SCL	Y (2)	N
Subclass Group	SCG	Y (2)	N
Subclass Group, Additional	SCGA	Y (2)	N
Subclass Group, Main	SCGM	Y (2)	N
Subclass Group, Secondary	SCGS	Y (2)	N
Subclass, Additional	SCLA	Y (2)	N
Subclass, Main	SCLM	Y (2)	N
Subclass, Secondary	SCLS	Y (2)	N
Supplementary Protection Certificate	SPC	Y	N
Supplementary Protection Certificate: Applicant	SPC.PA	Y	Y
Supplementary Protection Certificate: Application Date	SPC.AD	Y	Y
Supplementary Protection Certificate: BOPI Issue	SPC.BPI	Y	Y
Supplementary Protection Certificate: Deadline of Validity	SPC.VD	Y	Y
Supplementary Protection Certificate: Document Number	SPC.DN	Y (2)	Y
Supplementary Protection Certificate: Drug Approval	SPC.DA	Y	Y
Supplementary Protection Certificate: Drug Approval Date	SPC.DAD	Y	Y
Supplementary Protection Certificate: Drug Approval Grant Date	SPC.DAG	Y	Y
Supplementary Protection Certificate: Drug Name	SPC.DNM	Y	Y
Supplementary Protection Certificate: Grant BOPI Issue	SPC.GB	Y	Y
Supplementary Protection Certificate: Grant Date	SPC.GD	Y	Y
Supplementary Protection Certificate: Lapse Date	SPC.LD	Y	Y
Supplementary Protection Certificate: Publication Date	SPC.PD	Y	Y
Supplementary Protection Certificate: Rejection Date	SPC.RD	Y (2)	Y
Title	TI	Y (default)	Y
Update Date	UP	Y	Y

(1) HIT may be used to restrict terms extracted to terms that match the search expression used to create the answer set, e.g., SEL HIT TI.

(2) SELECT HIT or ANALYZE HIT are not valid with this field.

(3) Selects or analyzes the Application and Priority Numbers with /APPS appended to the terms created by SELECT.

(4) Appends /IPC to the terms created by SELECT.

(5) Selects or analyzes the patent country and appends /PCS to the terms created by SELECT.

## FRANCEPAT

## Sample Records

## DISPLAY STD (STN Format)

AN 1040081 FRANCEPAT ED 20040227 UP 20051021  
 TI MACHINE DE COUPE DE VEGETAUX EN TIGES, NOTAMMENT TONDEUSE  
 IN COEURET BERNARD  
 VILLAGE DE VAUX 14310 EPINAY SUR ODON (FR)  
 FR-14310

PA  
 Applicant: COEURET BERNARD  
 VILLAGE DE VAUX 14310 EPINAY SUR ODON (FR)  
 FR-14310

PIT Patent

PI FR 2843679 A1 20040227 200409 Application, first publ.  
 FR 2843679 B1 20050218 200507 Patent, second publication

AI FR 2003-10131 20030825  
 PRAI FR 2002-10523 20020823  
 NSR BOPI Search Report 200417 20040423  
 REP Examiner citations:

Patent Number	Kind	Relevance Indicator
US 2282238	A	A,D
US 1370352	A	A
US 4172350	A	A
US 2790293	A	A,D
US 2767543	A	A
FR 2219745	A	A
FR 2075464	A	A

IC  
 ICM A01D034-52  
 FA AB AG AI CT GI ICM IN LS PA PI PRAI RE

## DISPLAY MAXG (Derwent Format)

AN 1072737 FRANCEPAT ED 20060216 UP 20080509  
 TI DISPOSITIF DE SUPPORT D'UNE BRANCHE DE PLANTE  
 IN DEBAT GILLES BRUNO  
 252 RUE DES TISSEUSES 38430 ST JEAN DE MOIRANS (FR)  
 FR-38430

PA  
 Applicant: DEBAT GILLES BRUNO  
 252 RUE DES TISSEUSES 38430 ST JEAN DE MOIRANS (FR)  
 FR-38430

AG CABINET LAVOIX LYON

PIT Patent

PI FR-----2873262 A1 20060127 200604 Application, first publ.  
 AI 2004FR-0008120 20040722  
 PRAI 2004FR-0008120 20040722 \*  
 PRAO FR0408120 \*

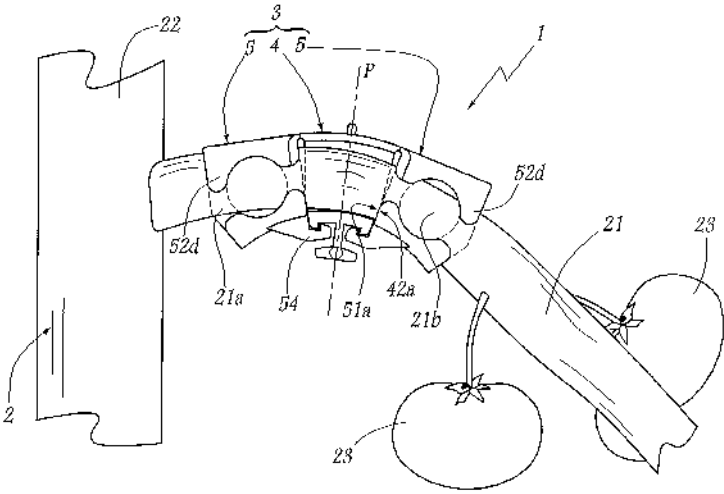
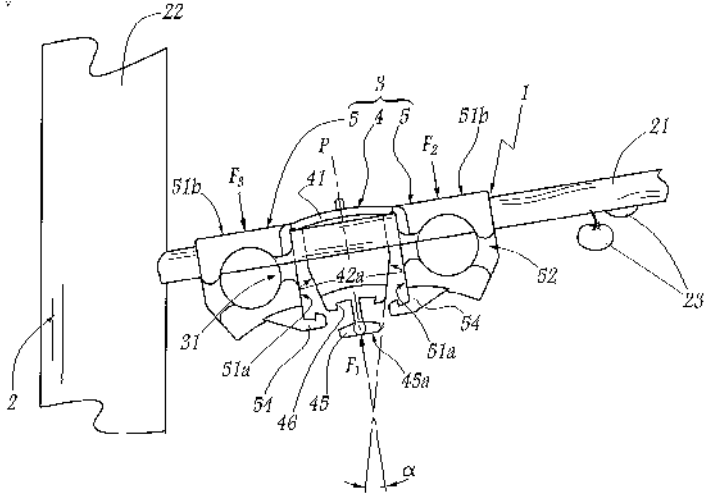
NSR BOPI Search Report 200604 20060127  
 REP Examiner citations:

Patent Number	Kind	Relevance Indicator
EP-----0578321	A1	X
US-----6233869	B1	A
NL-----9301497	A	A
DE-----20308694	U1	A

IC  
 IPCI A01G0009-12 [I,A]; A01G0017-10 [I,A]  
 IPCR A01G0009-12 [I,C\*]; A01G0017-00 [I,C\*]  
 AB Ce dispositif (1) comporte un corps allonge creux (3) qui comprend, suivant sa longueur, une partie courante (4) et deux parties d'extremite (5), ces trois parties delimitant un espace de reception d'une branche (21). Pour faciliter la mise en place et l'immobilisation de ce dispositif sur la branche, chaque partie d'extremite (5) est deplacable par rapport a la partie courante (4) entre une premiere position (figure 3A) dans laquelle les trois parties du corps s'etendent dans le prolongement les unes des autres suivant une droite rectiligne, et une seconde position (figure 3B) dans laquelle ces trois parties s'etendent dans le prolongement les unes des

autres suivant un segment courbe, chaque partie d'extremite incluant un moyen (54) de verrouillage en seconde position, qui coopere avec la partie courante.

GIS 7696



- CT BRANCH; CURVATURE; SLEEVE; PLASTIC; HORTICULTURE; STIFFENER; PLANT SUPPORT; TOMATO VINE
- CTFR HORTICULTURE; SUPPORT; BRANCHE; TOMATE; MANCHON; MATIERE PLASTIQUE; COURBURE; RENFORT
- FA AB AG AI CT GI IN PA PI RE

**FRANCEPAT****DISPLAY IALLFR**

NUMERO D.ACCESS: 1073655 FRANCEPAT ED 20060224 UP 20071130  
TITRE: COMPOSITION VETERINAIRE ANTIBACTERIENNE ORALE A BASE  
D'ACIDE LACTIQUE ET D'ACIDE FORMIQUE  
INVENTEUR(S): MESSAGER BERTRAND4 PL DU GENERAL DE GAULLE 33560 SAINTE  
EULALIE (FR)FR-33560  
BASTIDE LAURENT1 RUE FIRMIN BLOY 33500 LIBOURNE  
(FR)FR-33500  
DEPOSANT:  
Deposant: CEVA SANTE ANIMALE (Societe anonyme)  
ZI LA BALLASTIERE 33500 LIBOURNE (FR)  
FR-33500  
SIREN: 301763405  
MANDATAIRE: CABINET LAVOIX  
TYPE PUBLIC.: Brevet  
INFORM. PUBLICAT.: FR-----2874324 A1 20060224 200608 Brevet, premiere  
publication  
DATE ET NUM. DEPOT: 2004FR-0009030 20040820  
INFORM. PRIORITE: 2004FR-0009030 20040820 \*  
RAPPORT DE RECHERCHE: BOPI Rapport de Recherche 200608 20060224  
BREVETS CITES: Cites dans le rapport de recherche:  
Publication Type Code de pertinence  
WO--2004019683 A2 X  
WO-----9951218 A1 X  
AUTRE PUBL. CITEE: Cites dans le rapport de recherche:  
DATABASE WPI Section Ch, Week 200450 Derwent Publications  
Ltd., London, GB; Class D13, AN 2004-521805 XP002330127 &  
JP 2004 201613 A (NISSEI MARUKO SHIRYO KK) 22 juillet  
2004 (2004-07-22)(Cat. A)  
ROTH F X ET AL: 'ORGANIC ACIDS AS FEED ADDITIVES FOR  
YOUNG PIGS: NUTRITIONAL AND GASTROINTESTINAL EFFECTS'  
JOURNAL OF ANIMAL AND FEED SCIENCES, POLSKA AKADEMIA  
NAUK, PL, vol. 7, 1998, pages 25-33, XP000856184 ISSN:  
1230-1388(Cat. A)  
INT. PATENT CLASSIF.  
IPC8 INITIAL: A61K0031-19 [I,A]; A23L0001-29 [I,A]; A61P0031-04 [I,A]  
IPC8 RECLASSIFIED: A61K0031-185 [I,C\*]; A01N0037-36 [I,C\*]; A23L0001-29  
[I,C\*]; A61P0031-00 [I,C\*]  
ABREGE: La presente invention a trait a des compositions  
comprenant de l'acide lactique et de l'acide formique  
dans un ratio massique determine. Elle est egalement  
relative a l'utilisation desdites compositions comme  
agent antibacterien, comme additif alimentaire ou pour la  
preparation d'une composition antibacterienne pour  
administration a l'animal.  
DESCRIPTEUR: ASSOCIATION; DRUG; FOOD; ANTIBACTERIAL; POULTRY; ESCHERICHIA  
COLI; LACTIC; FORMIC; SALMONELLA; MAMMALIAN; CAMPYLOBACTER  
DESCRIPTEUR FRANCAIS: ASSOCIATION; LACTIQUE; FORMIQUE; ALIMENT; MEDICAMENT; VOLAILLE;  
ANTIBACTERIEN; MAMMIFERE; SALMONELLA; CAMPYLOBACTER;  
ESCHERICHIA COLI  
DISP. DE DONNES: AB AG AI CT IN PA PI RE

**In North America**  
CAS  
STN North America  
P.O. Box 3012  
Columbus, Ohio 43210-0012 U.S.A.

CAS Customer Center:  
Phone: 800-753-4227 (North America)  
614-447-3700 (worldwide)  
Fax: 614-447-3751  
Email: help@cas.org  
Internet: www.cas.org

**In Europe**  
FIZ Karlsruhe  
STN Europe  
P.O. Box 2465  
76012 Karlsruhe  
Germany  
Phone: +49-7247-808-555  
Fax: +49-7247-808-259  
Email: helpdesk@fiz-karlsruhe.de  
Internet: www.stn-international.com

**In Japan**  
JAICI (Japan Association for  
International Chemical Information)  
STN Japan  
Nakai Building  
6-25-4 Honkomagome, Bunkyo-ku  
Tokyo 113-0021, Japan  
Phone: +81-3-5978-3601 (Technical Service)  
+81-3-5978-3621 (Customer Service)  
Fax: +81-3-5978-3600  
Email: support@jaici.or.jp (Technical Service)  
customer@jaici.or.jp (Customer Service)  
Internet: www.jaici.or.jp